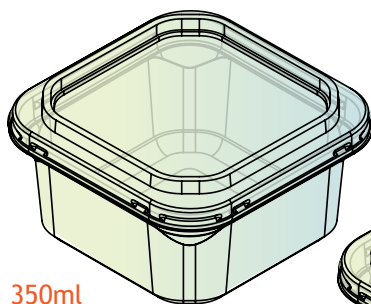


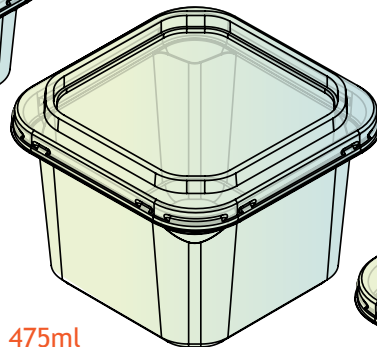
The Show Tub Family

The Show Tub has four sizes, all having the same size lid and footprint enabling efficient stacking for storage and merchandising in store.

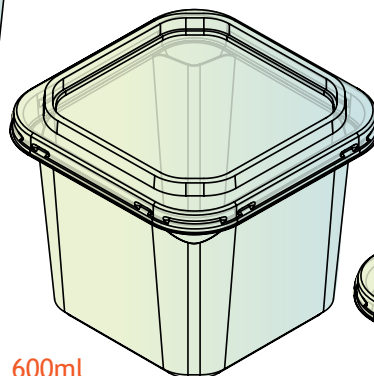
Made from PET, Show Tubs are great for fresh cut fruit and vegetables, salads, nuts and confectionary products.



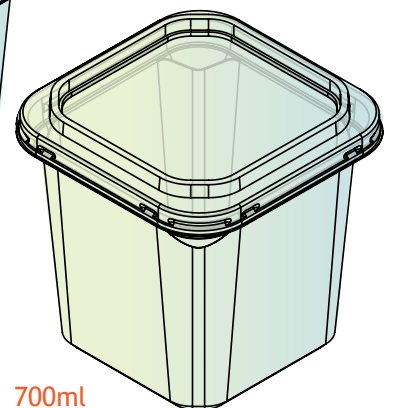
350ml



475ml



600ml



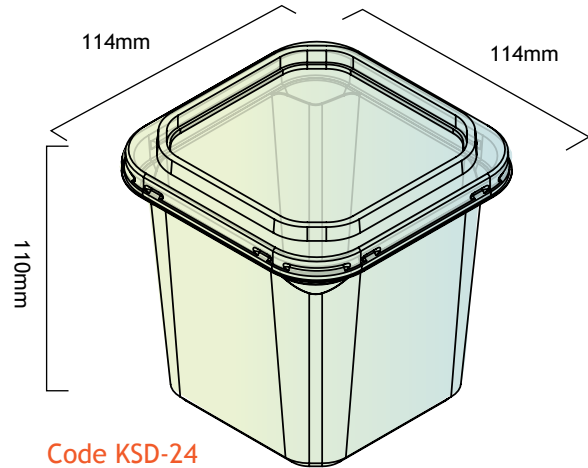
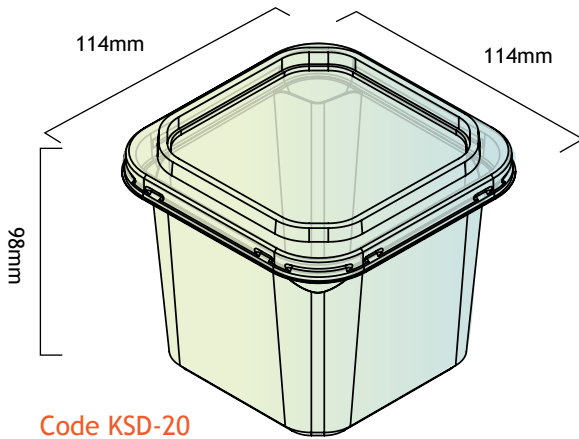
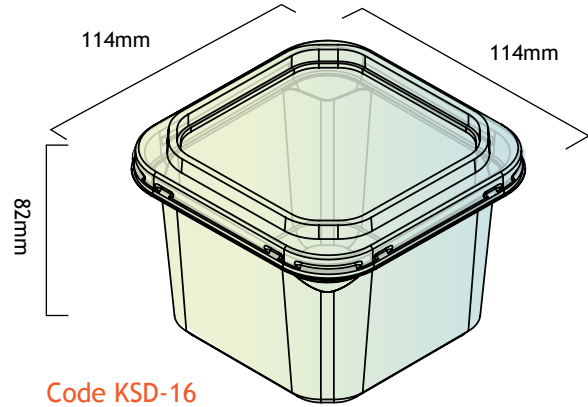
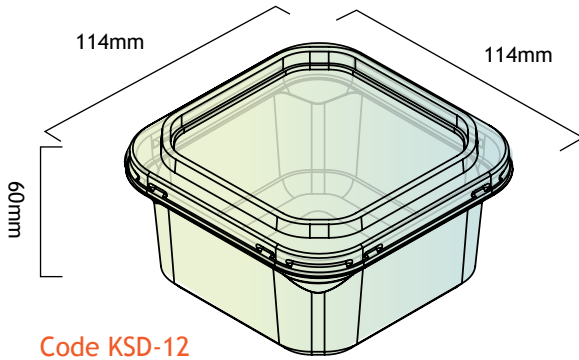
700ml



Designed for efficient stacking the Show Tub provides great merchandising opportunities

Base container flange provides the option to use sealing film

Show Tub Range



Units per carton
 Base = 600
 Lid = 600

There is also the option of a dome base design

